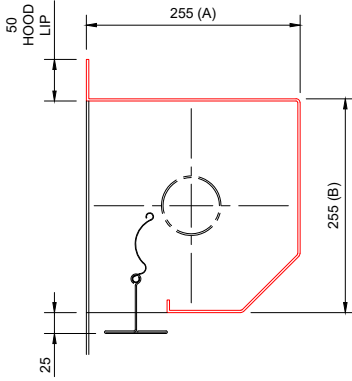


FLAMESHIELD FS60T TUBE MOTOR FIRE SHUTTER HEADBOX CONFIGURATION - SECTIONS

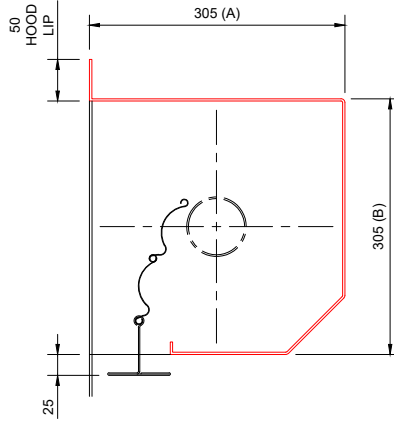
FLAMESHIELD FS60T
HEAD BOX SIZE A: 255 x 255mm

OVERALL WIDTH (C)	OVERALL HEIGHT (D)
4000	1500



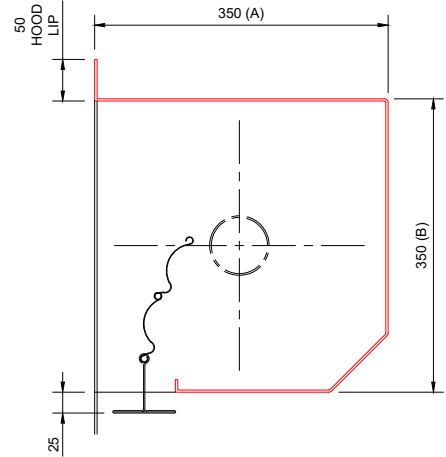
FLAMESHIELD FS60T
HEAD BOX SIZE B: 305 x 305mm

OVERALL WIDTH (C)	OVERALL HEIGHT (D)
4000	2900



FLAMESHIELD FS60T
HEAD BOX SIZE C: 350 x 350mm

OVERALL WIDTH (C)	OVERALL HEIGHT (D)
4000	3800



* FIRE SHUTTER SIZES ARE GOVERNED BY THE STRUCTURE AND FIRE RATING REQUIRED

* RED SECTION DENOTES FULL WIDTH HOOD - MUST BE ACCESSIBLE FOR REPAIR AND MAINTENANCE PURPOSES

Drawing Title: FLAMESHIELD FS60T FIRE SHUTTER	Drawn By: DD
	Date: 05-12-2023
	Checked By: CE
	Date: 05-12-2023
All dimensions in millimetres - DO NOT SCALE	Drawing No: CD13F_01

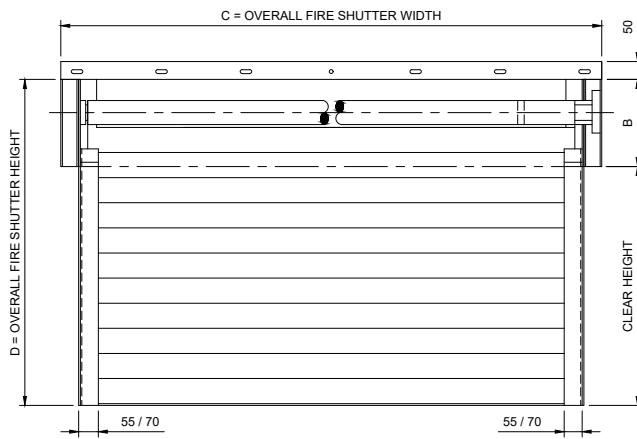


A1 Shutters Limited
Jackson Works
Raikes Lane Industrial Estate
Bolton BL3 2NH
Telephone 01204 383839

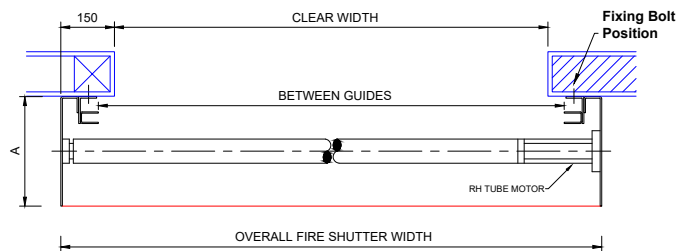
FLAMESHIELD FS60T FIRE SHUTTER GENERAL ARRANGEMENT DRAWING: FACE FIT

Key:
— Components supplied by A1S Group
— Structure already in situ

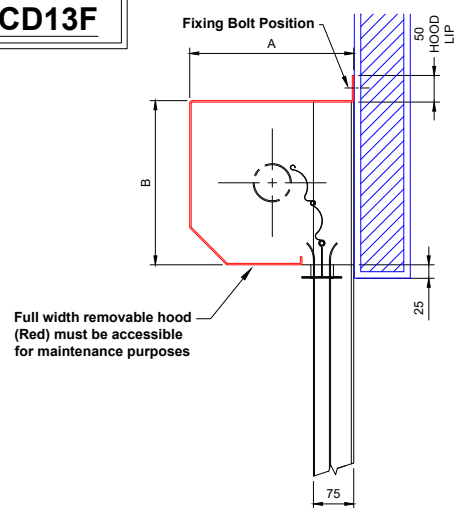
All openings must be capable of carrying the weight of the fire shutter and be equal or greater than the fire resistance of the fire shutter assembly.



FRONT VIEW

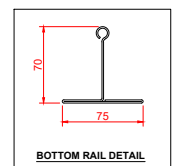
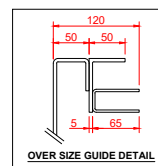
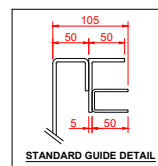


PLAN VIEW



ELEVATION

GUIDES CHANGE FROM STANDARD TO OVERSIZED AT 3500mm+ OVERALL WIDTH



FIRE RATING	60 MINS
FIRE RATED STRUCTURE	TIMBER / STEEL / MASONRY

Description: FLAMESHIELD FS60T FIRE SHUTTER	Drawn By: DD
	Date: 05-12-2023
	Checked By: CE
	Date: 05-12-2023
All dimensions in millimetres - DO NOT SCALE	Drawing: CD13F-02



A1 Shutters Limited
Jackson Works
Raikes Lane Industrial Estate
Bolton BL3 2NH
Telephone 01204 383839